

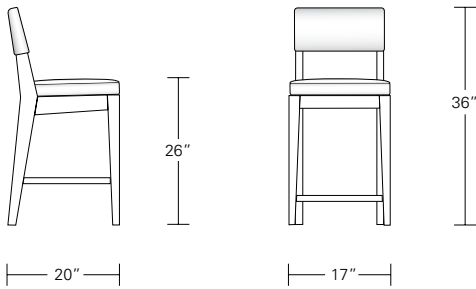


CADET BAR STOOL

17W x 20D x 41H

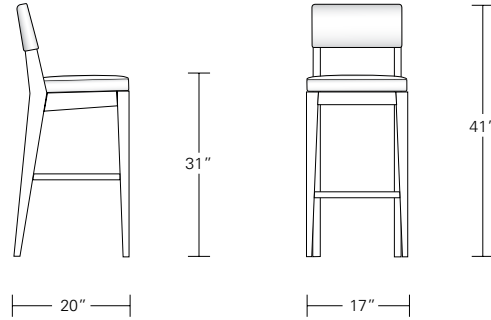
Shown in Dark Walnut in COL and optional top stitching.

The wood framed Cadet Stool follows the design styling of the full-sized Chevron Stool, but in a more space-conscious way. While the stool's comfort is based on the larger stool's design, its more narrow width is a perfect solution for limited counter space. Swivel option available.



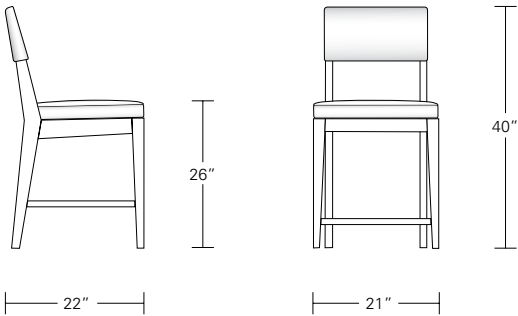
Cadet Counter Stool

17"W x 20"D x 36"H



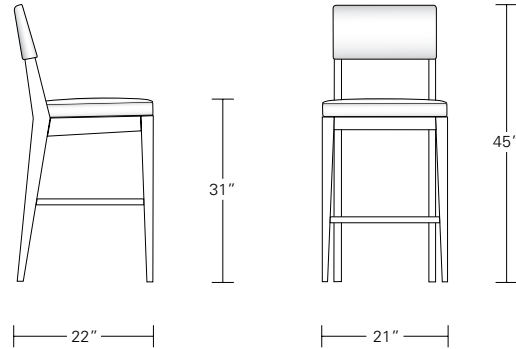
Cadet Bar Stool

17"W x 20"D x 41"H



Chevron Counter Stool

21"W x 22"D x 40"H



Chevron Bar Stool

21"W x 22"D x 45"H

DESCRIPTION	FINISH OPTIONS	
<p>Cadet & Chevron Stool: Solid wood frame with upholstered seat. Brushed aluminum toe rail on stool.</p> <p>Standard Options: COM or COL. Seat with top stitching, Swivel Seat (Cadet Only)</p> <p>Custom Orders: Custom sizes, woods and finishes are available. Please request a price quotation.</p>	<p>Standard - Natural / Stained:</p> <p>Bronze Ash, Burnt Ash, Ebonized Ash, Grey Ash, Medium Mahogany, Oak, Bluff Oak, Ebonized Oak, Grey Oak, Fumed Oak, Walnut, Medium Walnut, Dark Walnut, Ebonized Walnut, Grey Walnut, Silver Walnut, Terra Walnut, Bronze Walnut, Claro Toned Walnut.</p>	<p>Premium - Cerused / Bleached:</p> <p>Bleached Ash, Cerused Grey Ash, Cerused Bronze Ash, Cerused Burnt Ash, Cerused Mahogany, Cerused Dark Mahogany, Bleached Walnut, Cerused Walnut, Cerused Grey Walnut, Cerused Silver Walnut, Cerused Bronze Walnut, Bleached Oak, Cerused Oak.</p>
	<p>Fabric and Leather Requirements</p> <p>COM: 1 yard for stool with upholstered back, 54" wide plain fabric. Repeats and fabric less than 54" wide may require additional yardage.</p> <p>COL: 18 sqft. for stool with upholstered back. Hides need to be 50-55 square feet. Smaller hides may require additional square feet.</p>	